



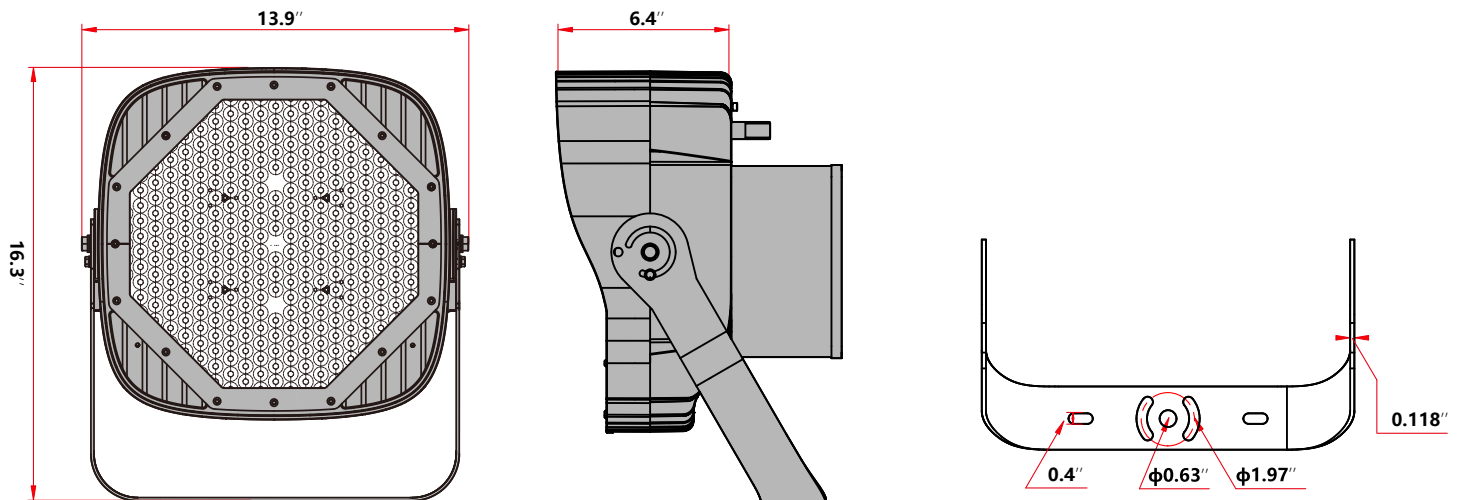
G4 LED STADIUM LIGHTING

300W, 400W, 500W, 600W

FEATURES

- Very low windage area (EPA)
- Only 13.9 inches in diameter can easily replace HID / MH / HPS fixtures on existing poles, wiring and mounting arms
- One PCB board design, better glare control with our quality Lens
- Light weight design ensures less force on poles
- Unique hollow design for excellent heat dissipation

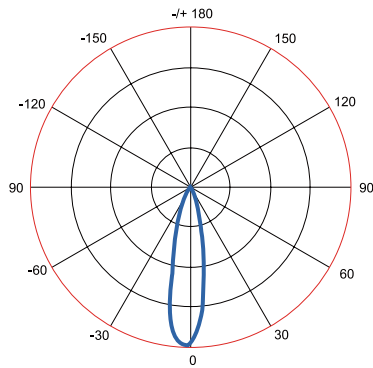
DIMENSION & WEIGHT



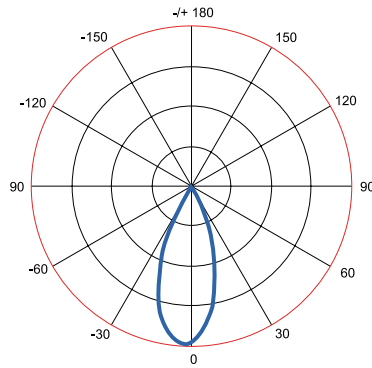
FIXTURE WEIGHT : 39.6 lbs (With Drivers)

Standard Yoke bracket thickness is 0.118". Custom options available on request.

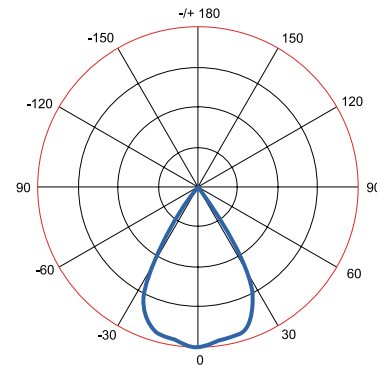
PHOTOMETRICS



25° (Nichia Chips)



45° (Nichia Chips)



60° (Nichia Chips)

ORDERING INFORMATION

EXAMPLE PART #: ST-RSL300N - OSRAM - INVENTRONICS- 3K-70-15° - 100-277V

Module #	WATTS	LED LIGHT SOURCE	DRIVER	CCT	CRI	LENS	INPUT POWER
ST-RSL300N	300	OSRAM	INVENTRONICS	3K-3000k	70	15°	100-277V
ST-RSL400N	400			4K-4000k	80	25°	249-528V
ST-RSL500N	500			5K-5000k	90	45°	
ST-RSL600N	600			5.7K-5700k 6.5K-6500k			

Module #	DLC Product ID	Total Light Output
ST-RSL300N(LV)	PBKTNX1K	36,000 LM
ST-RSL300N(HV)	PZFWCV2E	39,000 LM
ST-RSL400N(LV)	PKYYQOUR	48,000 LM
ST-RSL400N(HV)	POH1IQED	48,000 LM
ST-RSL500N(LV)	PN5710K2	65,000 LM
ST-RSL500N(HV)	POH1IQED	65,000 LM
ST-RSL600N(LV)	PE60A209	78,000 LM
ST-RSL600N(HV)	PDTDMKL1	78,000 LM

SPECIFICATIONS

Beam Angle | 25° / 45° / 60°
 Operating Temperature | -40°F to 131°F
 IP Rating | Standard with IP 65, IP66 is optional
 Life Time | 50,000 Hours

CERTIFICATIONS

ETL Listed
 DLC Listed

OTHER DETAILS

Fixture Material | Die-cast Aluminum
 Mount | Yoke Bracket (Mounting accessories available for flexible installation options.)
 Color | Black-Standard (Other color available as Optional)
 Surge Protection | 10kV Standard, 20kV Optional
 Warranty | 7-20 years
 EPA | 0.45 ft² — 0.94 ft²
 Smart Network Lighting Control available upon request
 Comes standard with an internal driver, with optional external driver and customizable driver cabinet

ACCESSORIES (Please find below the specific accessories available to meet your unique requirements)



VGS: Visor Glare Shield



Driver Cabinet

Max distance between driver cabinet and luminaire: 100'.
Standard fixture wire length: 1.31'



Cross Arm

Customizable cross arm
designs are available

ADJUSTABLE MOUNT



15° — 165°



The yoke bracket allows for adjustable mounting with a tilt angle range of 15° to 165° , ensuring optimal positioning.