



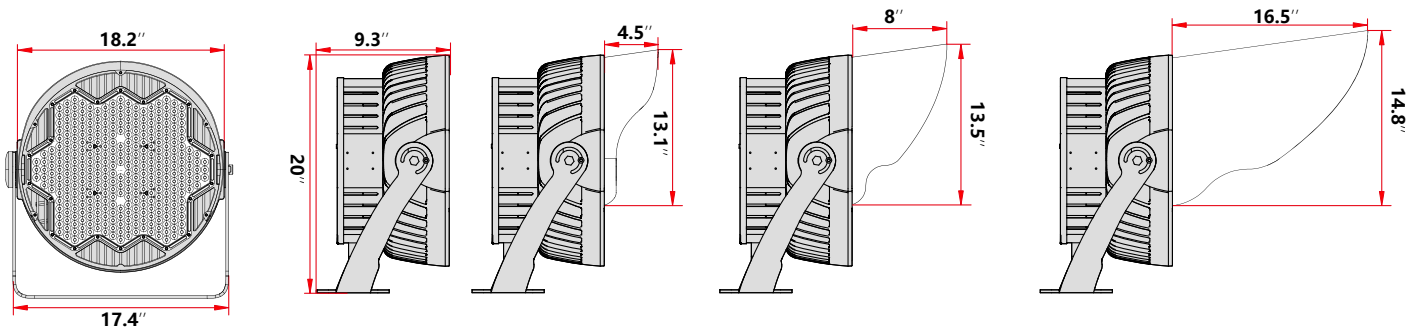
G2 LED STADIUM LIGHTING

800W, 1000W, 1200W

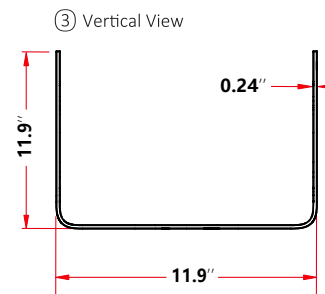
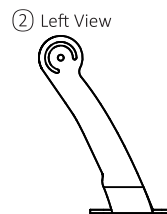
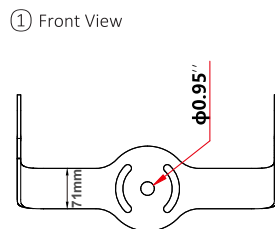
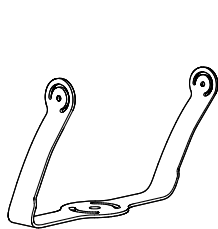
FEATURES

- Very low windage area (EPA)
- Only 17.3 inches in diameter can easily replace HID / MH / HPS fixtures on existing poles, wiring and mounting arms
- One PCB board design, better glare control with our quality Lens
- Light weight design ensures less force on poles
- Unique hollow design for excellent heat dissipation

DIMENSION & WEIGHT

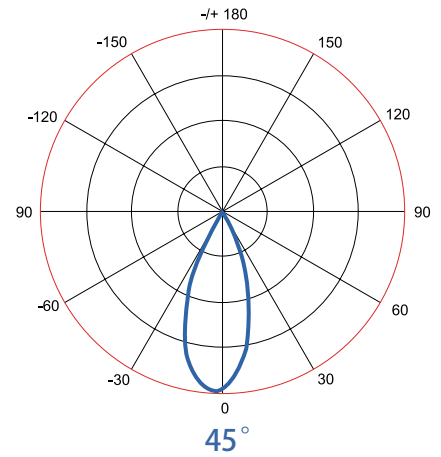
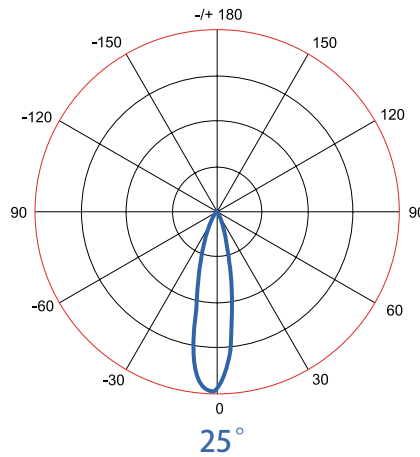
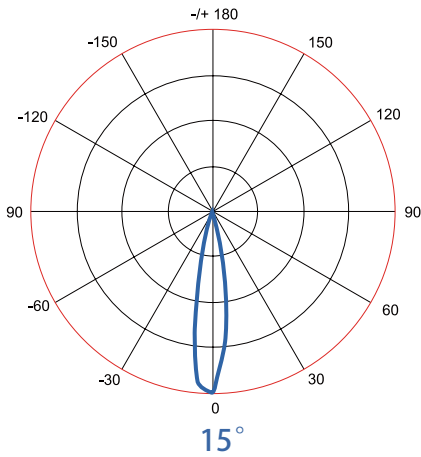


FIXTURE WEIGHT : 45.3 lbs (Remote Drivers) / 72.6 lbs (With Drivers)



- Standard thickness for the U-Bracket is 0.24", other thickness need to be customized.

PHOTOMETRICS



ORDERING INFORMATION

EXAMPLE PART #: ST-RSL - 400 - NICHIA - MEANWELL - 3K-70-15° - 100/277V

ST-RSL							
SERIES	WATTS	LED LIGHT SOURCE	DRIVER	CCT	CRI	LENS	INPUT POWER
ST-RSL	800 1000 1200	NICHIA OSRAM	MEANWELL INVENTRONICS	3K-3000k 4K-4000k 5K-5000k 5.7K-5700k 6.5K-6500k	70 80 90	15° 25° 45°	100-277V 180-528V (Optional)

SPECIFICATIONS

Beam Angle | 15° / 25° / 45°

Lumen Output | 96,000LM / 120,000LM / 144,000LM

OPERATING TEMPERATURE | -104°F to 122°F

IP RATING | Standard with IP 65, IP66 is optional

LIFE TIME | 50,000hours

LISTINGS

ETL Listed

DLC Listed

Other Details

Fixture Material | Aluminum

Mounting | Standard with U-Bracket, Slip Fitter and other adpters/arms can be customized

Color | Stardard with Grey, Other colors can be customzied after confirmed RAL number

Warranty | Standard with 5 years, 7 / 10 Years can be customzied

EPA | 0.58 ft² — 1.38 ft²

SPARE PARTS (Order accessories as separate part number from your Fixture Model No.)



VGS: Visor Glare Shield



Remote Drivers

Distance from Luminaire May Not Exceed 100' .
Standard Remote Driver Distance from Luminaire is 6'
unless Otherwise Specified.



Adapters

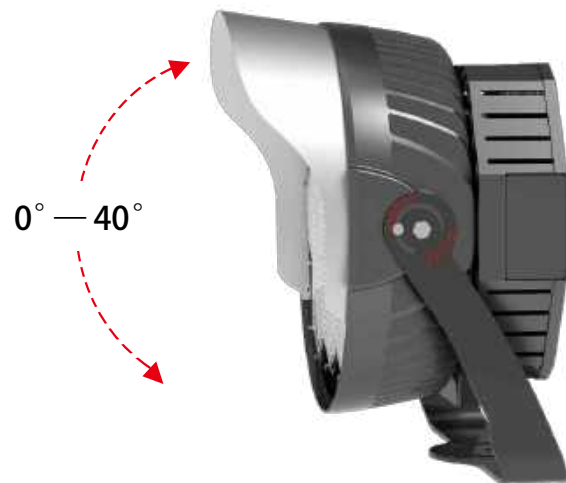
NOTE: We can customize different
types adapters and arms.

Visors



Come standard with type 1 Visor, other types need to be customized.

ADJUSTABLE MOUNT



Adjustable loop mounting bracket rotates 0° —40° for convenient optical control and easy replacement of existing fixture installations.