

G1-S2

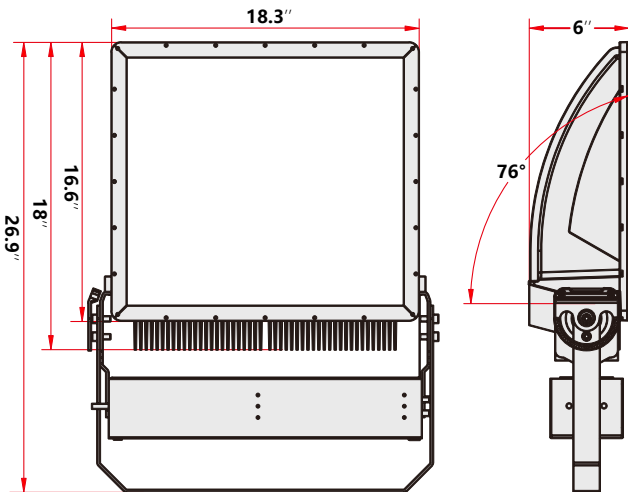
HIGH MAST LIGHTING

300W, 400W

APPLICATIONS

- **Sports Court Lighting:** Tennis and pickleball courts.
- **Roadway Lighting:** Highways and streets.
- **Port & Shipyard:** Docks and terminals.
- **Airport Lighting:** Runways and aprons.
- **Railyard Lighting:** Rail operations.
- **Ferry & Border Zones:** Terminals and checkpoints.
- **Parking Lots:** Industrial and commercial spaces.

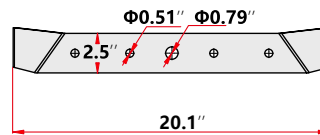
DIMENSION & WEIGHT



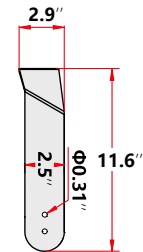
FIXTURE WEIGHT : 43 lbs

★ YOKE BRACKET DRAWING

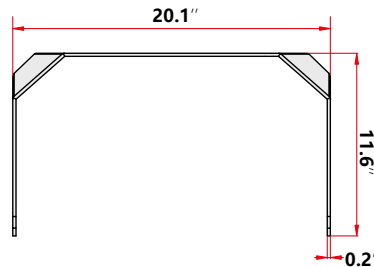
① Front View



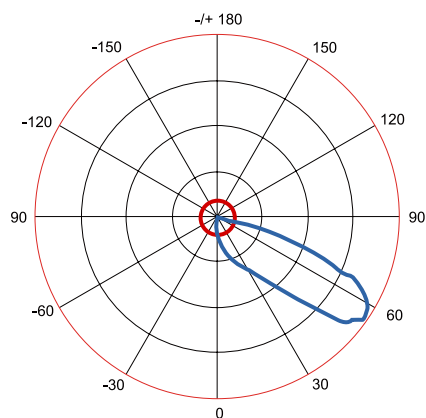
② Side View



③ Top View



PHOTOMETRICS



ORDERING INFORMATION

EXAMPLE PART #: ST-LHM300N - 300 - NICHIA - MEANWELL- 3K-3000K -70- 100-277V

Modle #	WATTS	NICHIA LED LIGHT SOURCE	DRIVER	CCT	CRI	INPUT POWER
ST-LHM300N	300	NICHIA	MEANWELL	3K-3000k	70	100-277V
ST-LHM400N	400		INVENTRONICS	4K-4000k 5K-5000k 5.7K-5700k 6.5K-6500k	80 90	249-528V

Modle #	DLC Product ID	Total Light Output
ST-LHM300N	S-B0GF89	42,665 LM
ST-LHM400N	S-XTQLON	54,495 LM

SPECIFICATIONS

Beam Angle | Indirect Asymmetric
 Operating Temperature | -40°F to 131°F
 IP Rating | IP 65
 Life Time | 50,000 Hours

CERTIFICATIONS

ETL Listed
 DLC Listed

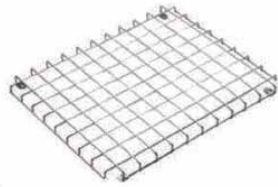
OTHER DETAILS

Fixture Material | Die-cast Aluminum
 Mount | Yoke Bracket (Mounting accessories available for flexible installation options.)
 Color | Black-Standard (Other color available as Optional)
 Surge Protection | 10kV Standard, 20kV Optional
 Warranty | 7 / 10 years
 EPA | 0.75 ft² —1.25 ft²
 Smart Network Lighting Control available upon request
 Comes standard with an internal driver, with optional external driver and customizable driver cabinet

ACCESSORIES (Please find below the specific accessories available to meet your unique requirements)



COVER ASYMMETRICAL



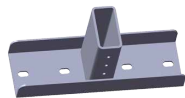
PROTECTIVE GRID



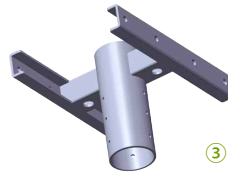
LOUVER ASYMMETRICAL



①
Our standard inventory in black finish;
other colors are available upon request



②



③

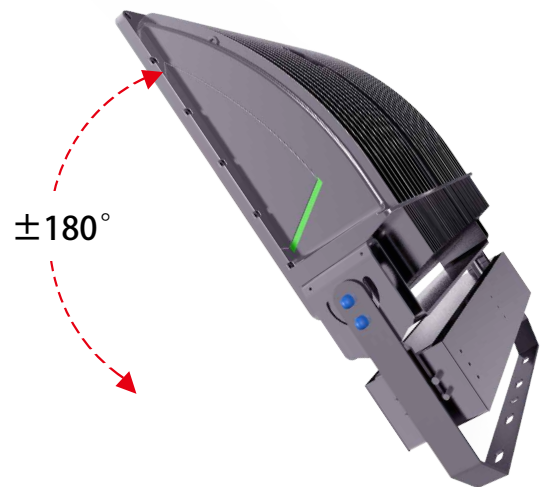


④

Slipfitter Adapters: Versatile and customizable slipfitter adapters and arms designed to accommodate various installation requirements with precision and reliability.

MOUNTING GUIDE

Horizontal installation is recommended for court lighting. Adjustable mounts with tilt angle options are available.



Yoke bracket supports a tilt angle adjustable up to 180° .