



G7 LED STADIUM LIGHTING



The Shinetoo G7 LED Stadium Lighting series redefines excellence in large-scale outdoor illumination. Featuring dark-sky compliance with advanced reflector technology, it minimizes light pollution while maximizing brightness and uniformity. Engineered with cutting-edge innovation, the G7 series is purpose-built to meet the rigorous demands of the sports lighting market, offering unmatched performance, durability, and energy efficiency. Whether illuminating stadiums, sports fields, or other challenging environments, the G7 series ensures superior lighting solutions tailored for the modern era. **The G7 Series is Designed with Standard Remote Drivers**



APPLICATIONS

- Sports Facilities and Stadiums
- High Mast Roadway Lighting
- Airport Security Lighting
- International Border Lighting
- Industrial & Commercial Parking Lots
- Rail Yard Lighting

KEY FEATURES

Reliable Performance:

Equipped with standard remote drivers for ultimate flexibility, seamless maintenance, and consistent, dependable operation.

Advanced Reflector Technology:

Indirect asymmetric design that is dark sky compliant, minimizing light pollution.

Exceptional Efficiency:

High-performance LED technology delivers up to 160 lumens per watt.

Built to Last:

Constructed from durable die-cast aluminum with a corrosion-resistant coating.

Versatile Lighting Options:

Offers a comprehensive range of beam angles (6°, 15°, 25°, 45°) to meet diverse lighting needs.

Smart Lighting Controls:

Fully compatible with wireless controller to empower effortless lighting management.

Enhanced Reliability:

Integrated 10kV surge protection provides robust defense against power fluctuations, ensuring longevity and stability.

BAA Compliant



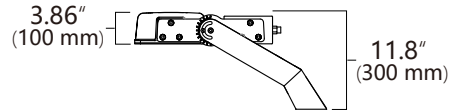
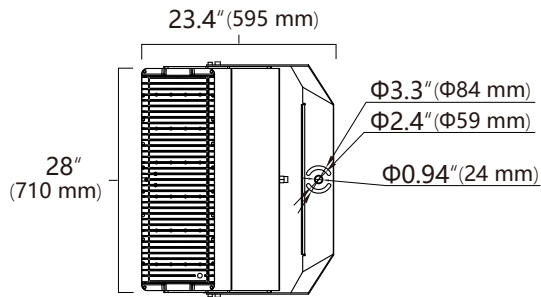
300W / 400W

500W / 600W / 800W

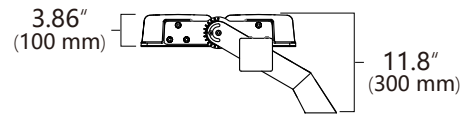
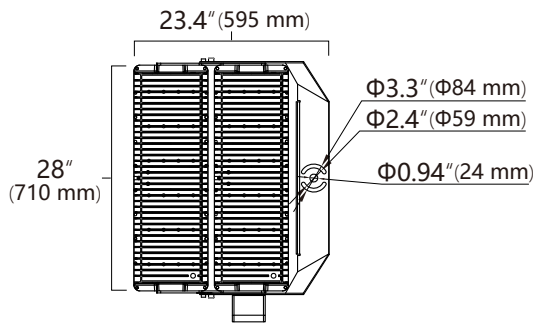
1000W / 1200W

1300W / 1400W
1500W / 1600W

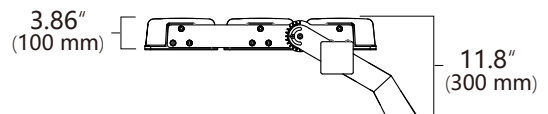
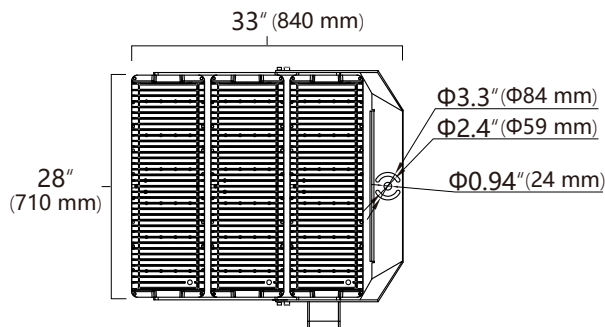
DIMENSION & WEIGHT



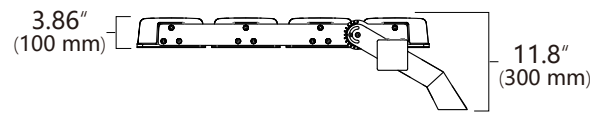
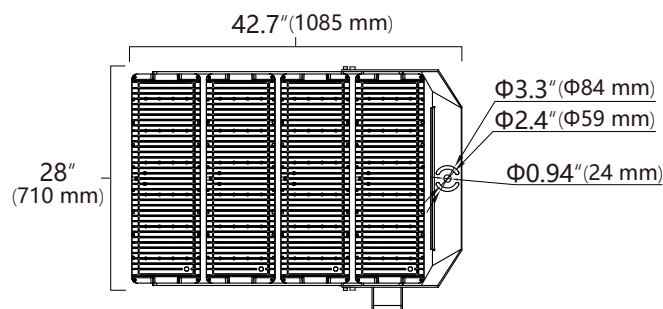
FIXTURE WEIGHT(Internal Driver):38.58 lbs(17.5 kg)



FIXTURE WEIGHT(External Driver):45.19 lbs(20.5 kg)

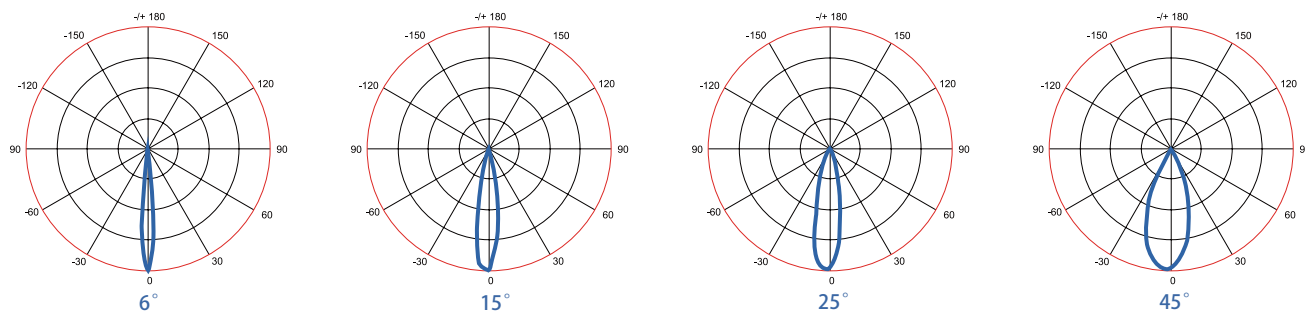


FIXTURE WEIGHT(External Driver):71.65 lbs(32.5 kg)



FIXTURE WEIGHT(External Driver):89.28 lbs(40.5 kg)

PHOTOMETRICS



ORDERING INFORMATION

EXAMPLE PART #: ST-RSL300NG7 - 300 - OSRAM - MOONS- 3K- 70-6-100/277V

Module #	WATTS	OSRAM LED LIGHT SOURCE	DRIVER	CCT	CRI	LENS	INPUT POWER
ST-RSL300NG7	300W	OSRAM	MOONS	5K-5000k	70	6°	100-277V
ST-RSL400NG7	400W	PHILIPS	INVENTRONICS	5.7K-5700k	80	15°	198-528VAC
ST-RSL500NG7	500W				90	25°	
ST-RSL600NG7	600W					45°	
ST-RSL800NG7	800W						
ST-RSL1000NG7	1000W						
ST-RSL1200NG7	1200W						
ST-RSL1300NG7	1300W						
ST-RSL1400NG7	1400W						
ST-RSL1500NG7	1500W						
ST-RSL1600NG7	1600W						

SPECIFICATIONS

Beam Angle | 6° / 15° / 25° / 40°
Lumen Output | 130 LM/W
Operating Temperature | -40°F to 131°F
IP RATING | IP 66
LIFE TIME | 50,000 Hours

CERTIFICATIONS

ETL Listed
DLC Listed

OTHER DETAILS

Fixture Material | Die-cast Aluminum
Mount | Yoke Bracket
Color | Black
Surge Protection | 10kV Standard, 20kV Optional
Warranty | 7 Years Limited Warranty
(10 / 20 Years Warranty available as Optional)
EPA | 0.057 m² — 0.1 m²

The G7 Series is Designed with Standard Remote Drivers

WIRELESS LIGHTING SYSTEM CONTROLS

Option 1: SYNAPSE SIMPLYSNAP



Versatile Control: Features on/off, dimming, scheduling, and optional cloud-based monitoring.

Pre-Programmed Switch: Five-button switch with preset dimming for easy operation.

Flexible Connectivity: Compatible with LAN, Wi-Fi, or cellular networks.

Durable Design: Weather-resistant for reliable outdoor use.

Scene Management: Supports Static, Dynamic, and ProFX lighting scenes.

Option 2: Wireless DMX Controller



Advanced Control: Includes on/off, dimming, scheduling, scene management, and cloud-based monitoring.

Mobile App: Easy scene activation and control via Android/iOS devices.

Integrated Display: Real-time system monitoring and configuration updates.

Dynamic RGB: Supports vibrant RGB lighting and customizable scenes.

Reliable Connectivity: Offers cellular and LAN options with interference-free Sub-GHz RF.

Weather-Resistant: Built for harsh outdoor conditions.

Effortless Setup: Simplified commissioning for quick installation.

24/7 Monitoring: Cellular connectivity ensures real-time updates and optimization.