



G1-S3

HIGH MAST LIGHTING

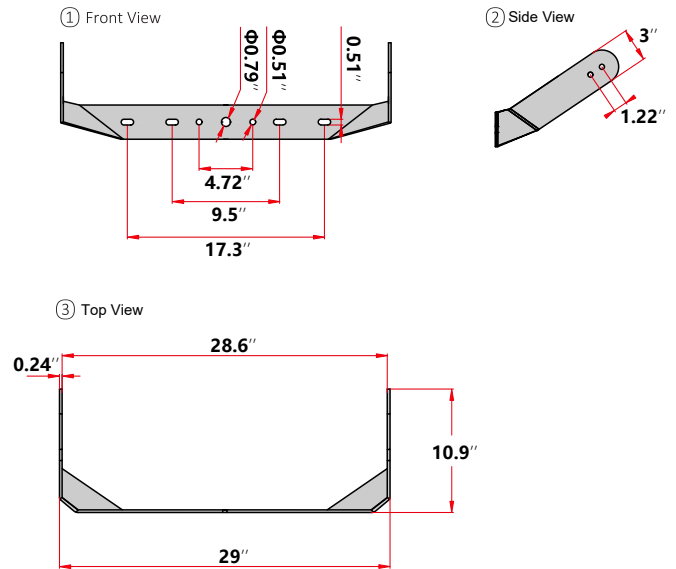
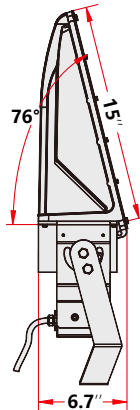
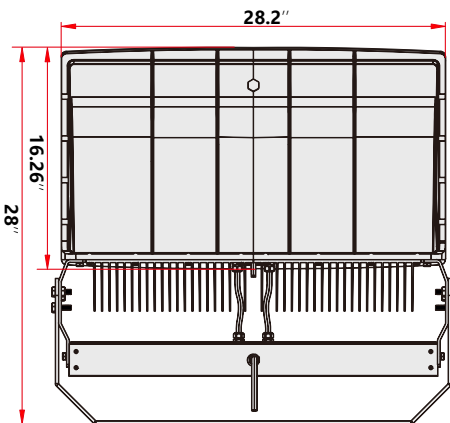
500W, 600W, 800W

APPLICATIONS

- **Sports Court Lighting:** Tennis and pickleball courts.
- **Roadway Lighting:** Highways and streets.
- **Port & Shipyard:** Docks and terminals.
- **Airport Lighting:** Runways and aprons.
- **Railyard Lighting:** Rail operations.
- **Ferry & Border Zones:** Terminals and checkpoints.
- **Parking Lots:** Industrial and commercial spaces.

DIMENSION & WEIGHT

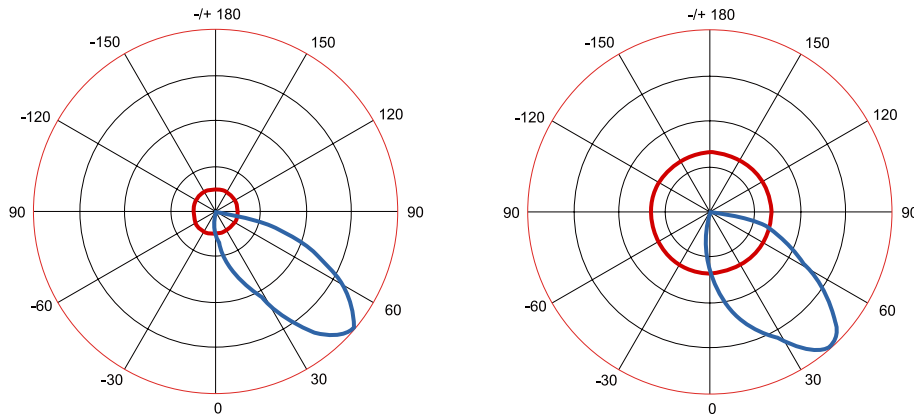
★ YOKE BRACKET DRAWING



FIXTURE WEIGHT : 74.36 lbs

- Standard thickness for the U-Bracket is 0.24" , other thickness need to be customized.

PHOTOMETRICS



ORDERING INFORMATION

EXAMPLE PART #: ST-LHM500N - 500 - NICHIA - MEANWELL - 3K-3000K -70- 100-277V

Modle #	WATTS	NICHIA LED LIGHT SOURCE	DRIVER	CCT	CRI	INPUT POWER
ST-LHM500N	500	NICHIA	MEANWELL	3K-3000k	70	100-277V
ST-LHM600N	600		INVENTRONICS	4K-4000k	80	249-528V
ST-LHM800N	800			5K-5000k 5.7K-5700k 6.5K-6500k	90	

Modle #	DLC Product ID	Total Light Output
ST-LHM500N	S-BVLEA4	65,000 LM
ST-LHM600N	S-N4A6X1	104,000 LM
ST-LHM800N	S-QU4BZW	110,488 LM

SPECIFICATIONS

Beam Angle | Indirect Asymmetric
Operating Temperature | -40°F to 131°F
IP Rating | IP 65
Life Time | 50,000 Hours

CERTIFICATIONS

ETL Listed
DLC Listed

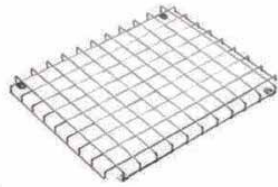
OTHER DETAILS

Fixture Material | Die-cast Aluminum
Mount | Yoke Bracket (Mounting accessories available for flexible installation options.)
Color | Grey-Standard (Other color available as Optional)
Surge Protection | 10kV Standard, 20kV Optional
Warranty | 7 / 10 years
EPA | 0.75 ft² — 1.25 ft²
Smart Network Lighting Control available upon request
Comes standard with an internal driver, with optional external driver and customizable driver cabinet

ACCESSORIES (Please find below the specific accessories available to meet your unique requirements)



COVER ASYMMETRICAL



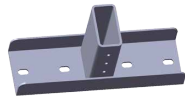
PROTECTIVE GRID



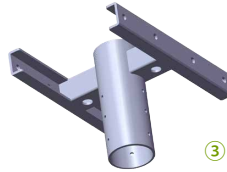
LOUVER ASYMMETRICAL



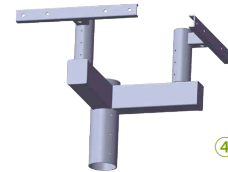
①
Our standard inventory in grey finish;
other colors are available upon request



②



③

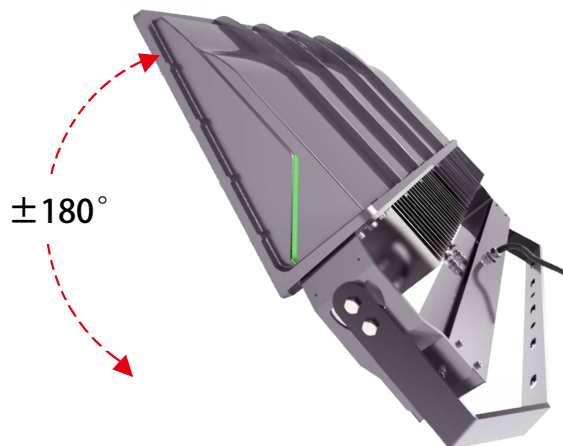
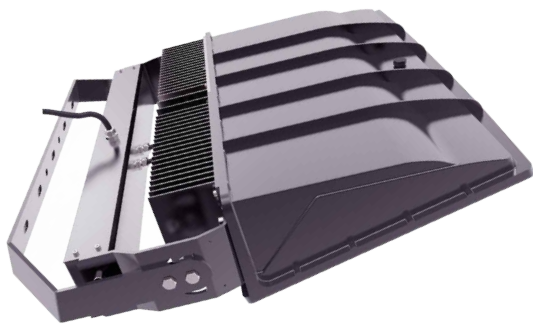


④

Slipfitter Adapters: Versatile and customizable slipfitter adapters and arms designed to accommodate various installation requirements with precision and reliability.

MOUNTING GUIDE

Horizontal installation is recommended for court lighting. Adjustable mounts with tilt angle options are available.



Yoke bracket supports a tilt angle adjustable up to 180° .