

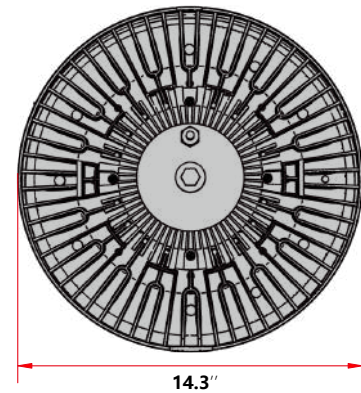
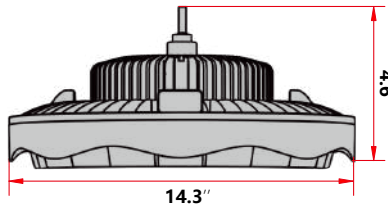
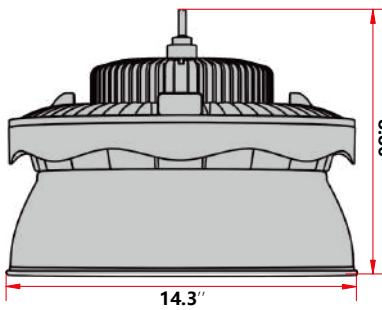


## STR LED HIGH BAY 100W, 120W, 150W, 200W

### APPLICATIONS

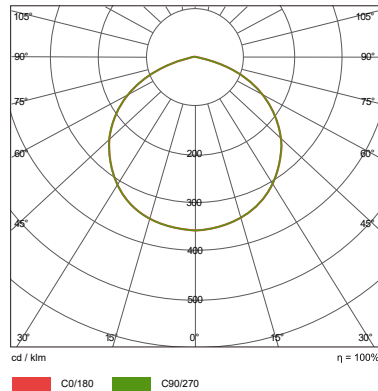
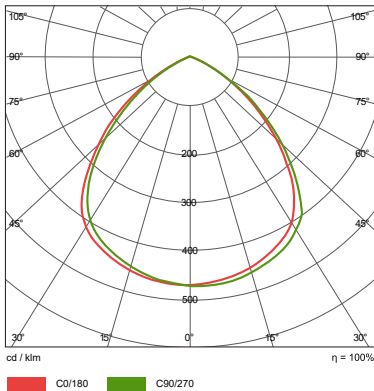
- Warehouses
- Supermarkets
- Factories
- Car Washes
- Sports Retailers
- Gymnasiums
- Automotive Mechanic Shops
- Big Box Retailers
- Storage Facilities
- Steel Mills, etc.
- Food Processing Facilities

### DIMENSION & WEIGHT



**FIXTURE WEIGHT : 13.2 lbs**  
**14 lbs (with cover)**

## PHOTOMETRICS



## ORDERING INFORMATION

EXAMPLE PART #: ST-HBL - 100 - NICHIA - MEANWELL - 3K- 70- 100/277V

ST-HBL						
SERIES	WATTS	LED LIGHT SOURCE	DRIVER	CCT	CRI	INPUT POWER
ST-HBL	100	NICHIA	MEANWELL	3K-3000k	70	100-277V
	120	CREE	SHINETO	4K-4000k	80	180-528V (Optional)
	150			5K-5000k	90	
	200			5.7K-5700k		
				6.5K-6500k		

## SPECIFICATIONS

Beam Angle | 90° / 120°  
Lumen Output | 13,000LM / 15,600LM / 19,500LM / 26,000LM  
OPERATING TEMPERATURE | -104°F to 122°F  
IP RATING | IP 65  
LIFE TIME | 50,000hours

## LISTINGS

UL Listed  
DLC Premium Listed

## Other Details

Fixture Material | Aluminum  
Mounting | Coming stand with Hook, U-Bracket available as customized item  
Color | Standard with Black, white and other color available as customizing  
Warranty | 5 years  
Motion sensor available by customize